



Battery Box Power Supply Datasheet

*Standard and Linear Control
4.5V and 12V versions*

Battery Box Power Supply

The Battery Box from Global Laser is a portable voltage source for CW laser diode modules. It is housed in a compact ABS box with an on/off switch to allow the user to control battery lifetime. The batteries can be replaced by simply removing four screws and the base of the box.

Also available is a Battery Box with Linear Control. This is a portable power source that allows you to linearly control the output intensity of an LC or analogue laser diode module. A dial externally fitted to the Battery Box with Linear Control allows you to manually adjust the output intensity from 0% (fully off) to 100% (maximum factory-set output power).

One cable to connect the Battery Box to the required laser is available as a separate item. As a result, the Battery Box eliminates the need for multiple connections between your laser and a supply voltage, ground (0V), and a control voltage (LC/analogue only). The simplified electrical configuration can reduce the time taken to set up and maintain your equipment.

Two models of the Battery Box (with/without Linear Control) are available. The first is a 4.5Vdc supply operating from three AA industrial batteries. The other is a 12Vdc supply operating from eight industrial AAA batteries.



Specification

	4.5V Models	LC - 4.5V Models	12V Models	LC - 12V Models
Size (mm)	85 x 56 x 39	85 x 56 x 55	85 x 56 x 39	85 x 56 x 55
Battery Type	AA Type 1.5V 1500mAH x3		AAA Type 1.5V 1150mAH x8	
Recommended Battery	Duracell ProCell AA		Duracell ProCell AAA	
mAH Rating	1500		1150	
Voltage (total) (Vdc)	4.5		12	
Connector	DC Power Socket 2.5mm Centre: (0V), Outer: (+Ve)	4 Pin M8 Binder	DC Power Socket 2.5mm Centre: (0V), Outer: (+Ve)	4 Pin M8 Binder
Operating Temperature Range	-10°C to + 54°C			
Storage Temperature Range	-20°C to +35°C			
Compatible With	Red & IR CW lasers	Red & IR LC/Analogue lasers	Violet, blue & green CW lasers	Violet, blue & green LC/Analogue lasers

Battery Lifetime

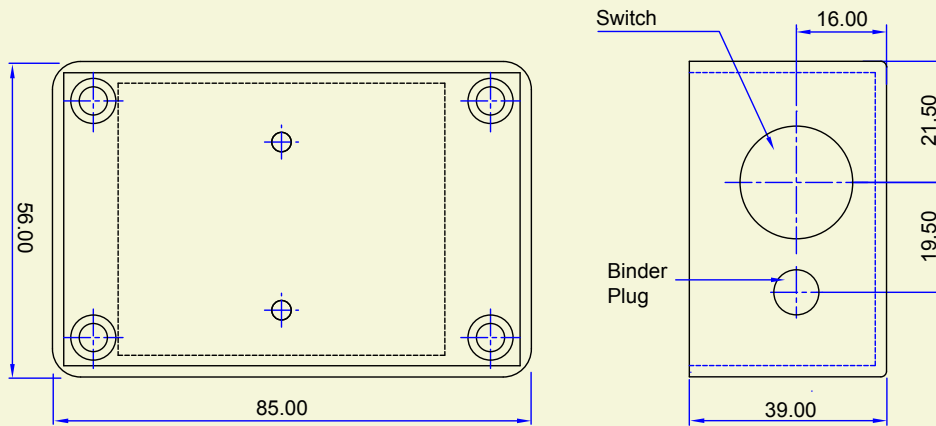
Below is a guide to the approximate battery lifetime when used with some of our standard laser diode modules. If you are wanting to use the battery box power supply with a laser you do not see listed below please contact us for lifetime information.

	Approximate Battery Lifetime (Hours) with a Laser Module Case Temperature of 25°C		Approximate Battery Lifetime (Hours) with a Laser Module Case Temperature of 25°C
LaserLyte V1 Range	9.5	LDL175G/635/1	30
LaserLyte V2 Range	11.5	LDL175G/635/3	30
LaserLyte V3 Range	30	LDL175G/635/5	21
LaserLyte V5 Range	42	LDL175G/650/1	42
LaserLyte-Flex 515nm 1mW	9	LDL175G/650/3	42
LaserLyte-Flex 515nm 5mW	9	LDL175G/650/5	21
LaserLyte-Flex 515nm 10mW	3	LDL175G/670/1	26
LaserLyte-Flex 650nm 5mW	42	LDL175G/670/3	26
LaserLyte-Flex 635nm 1mW	30	LDL175G/670/5	21
LaserLyte-Flex 635nm 5mW	30	LDL175G/780/1	35
LaserLyte-Flex 635nm 10mW	22.5	LDL175G/780/3	35
		LDL175G/780/5	26
		LDL175G/850/1	70
		LDL175G/850/3	70

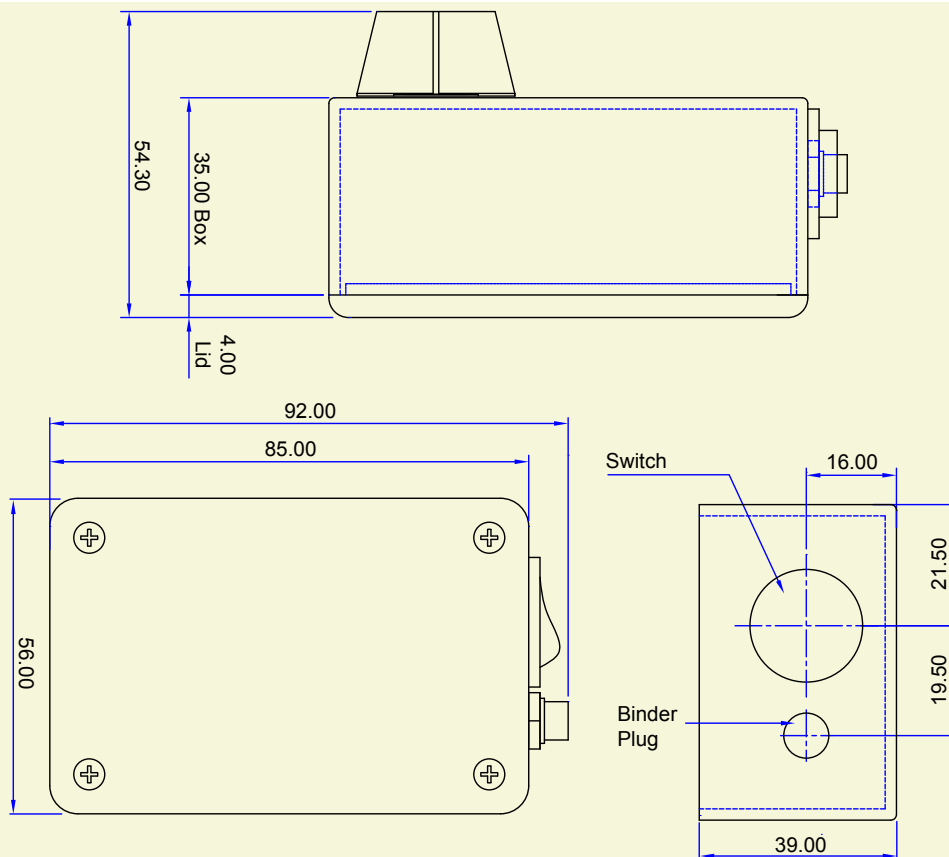
NOTE:- these are worst-case approximations and the battery lifetime could be more in practice.

Mechanical Drawings

Battery Box Power Supply - 4.5V



Battery Box Power Supply Linear Control - 4.5V & 12V



Please Note: Global Laser reserve the right to change descriptions and specifications without notice.

