



Battery Box Power Supply with Linear Control Userguide

Product Overview

Thank you for purchasing the Battery Box Power Supply with Linear Control by Global Laser. This is a portable power source that allows you to linearly control the output intensity of an LC or analogue laser diode module.

If you have any queries or require help when using this product then please contact us on sales@globallasertech.com or contact your local representative.



Getting Started

1. Ensure that you have the following items in your shipment:
 - a. Battery Box Power Supply with Linear Control.
 - b. Compatible cable to connect the Battery Box to your laser (available as a separate item).
 - c. 3 x industrial AA batteries (4.5V models) or 8 x industrial AAA batteries (12V models).

Note: Batteries may already be inserted.

2. You will also need 1 x M3 hex key (12V only) and 1 x Phillips head screwdriver to insert/replace batteries.
3. Ensure that the rocker switch is set to the OFF position.

Inserting/Replacing Batteries

4. Loosen 4 x Phillips head screws on the base of the Battery Box and remove the base.
5. Loosen the M3 hex screw on the side of the Battery Box and remove the holding block (12V models only).
6. Remove the battery compartment from Battery Box.
7. Insert or replace 3 x industrial AA batteries (4.5V models) or 8 x industrial AAA batteries (12V models).

Note: 12V model battery compartments hold 4 x industrial AAA batteries back-to-back.

8. Carefully replace the battery compartment without breaking the wires.
9. Replace the holding block and secure with the M3 hex screw (12V models only).
10. Replace the base and secure with 4 x Phillips head screws.

Connecting Your Laser

11. Connect your LC or analogue laser to the OUTPUT terminal (M8 Binder connector) of the Battery Box using the supplied cable.
12. Set the rocker switch to the ON position.
13. Linearly adjust output intensity using external dial.

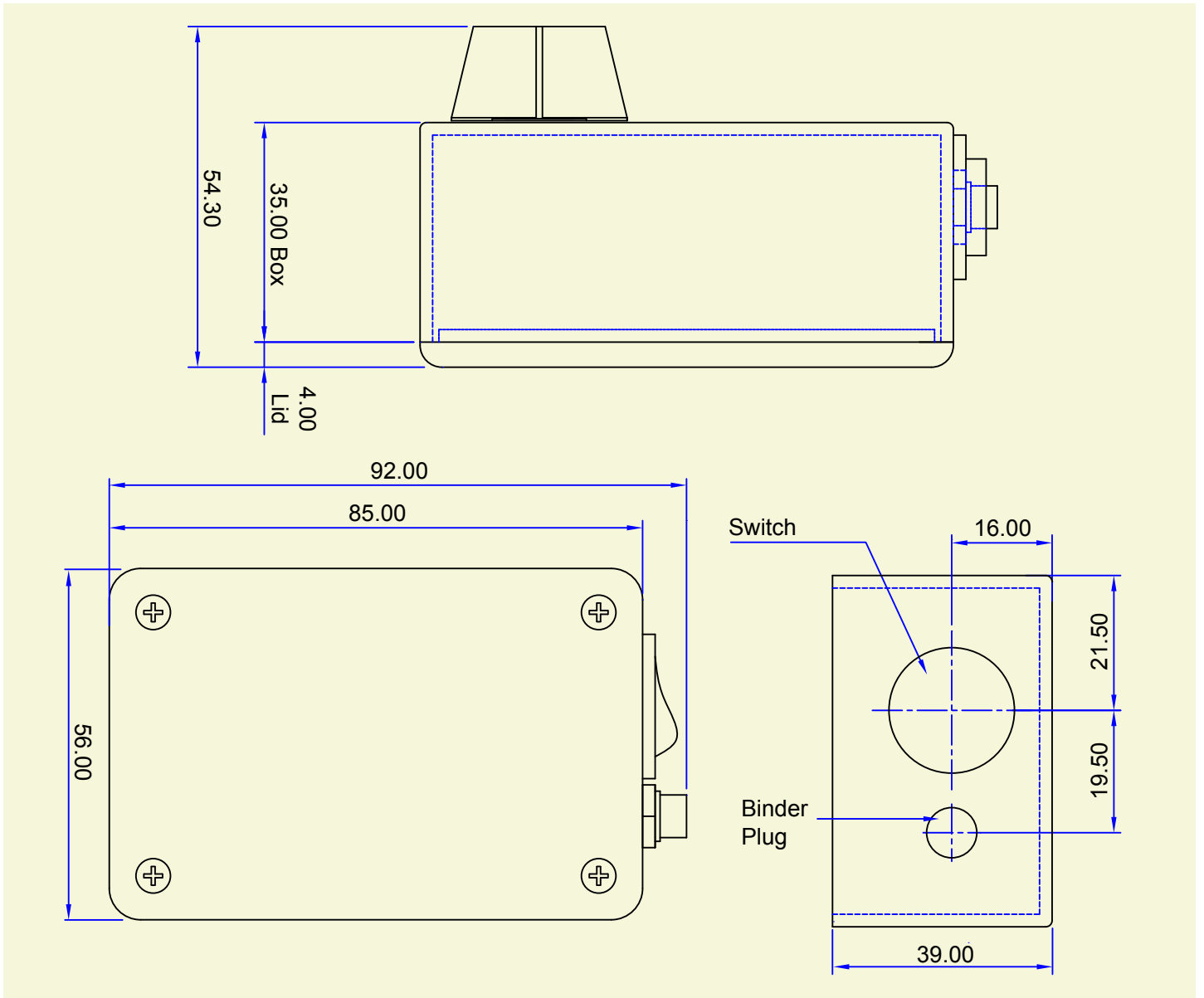
Warranty & Repair

If your product develops a fault within 24 months from the date of purchase Global Laser will repair/replace your product. If you wish to return a faulty product then please contact your local representative or Global Laser to obtain a RMA code (Return Material Authorisation). Then package your product carefully, including a note of your RMA code, and return to the address below:

Global Laser Ltd
Unit 9-10
Roseheyworth Business Park
Abertillery
Gwent
NP13 1SP
United Kingdom

Mechanical Dimensions

Battery Box with Linear Control



Drawings are not to scale

Please Note: Global Laser reserve the rights to change descriptions and specifications without notice.



9090-02-160 Rev 1 05/03/2019

T: +44 (0)1495 212213
F: +44 (0)1495 214004
E: sales@globalasertech.com
www.globalasertech.com

Global Laser Ltd
Unit 9-10
Roseheyworth Business Park
Abertillery, Gwent NP13 1SP UK